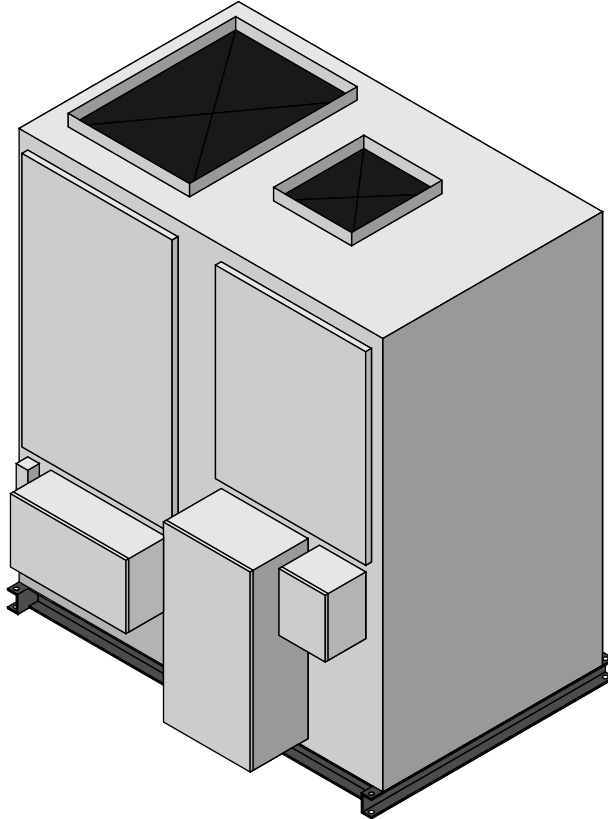


# *Ecology*

**AIR PURIFICATION UNIT - APU**

Grease, Smoke, and Odor Abatement  
for Commercial Kitchen Applications



## **Vertical Upright Units**



489 Broadway, Suite 40010

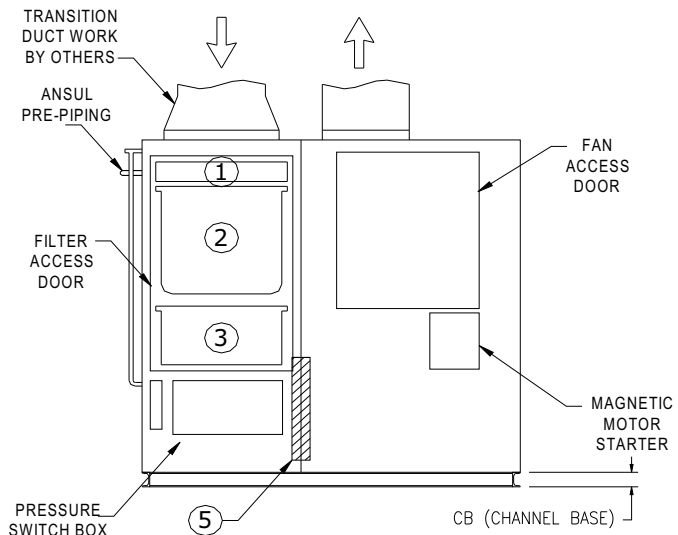
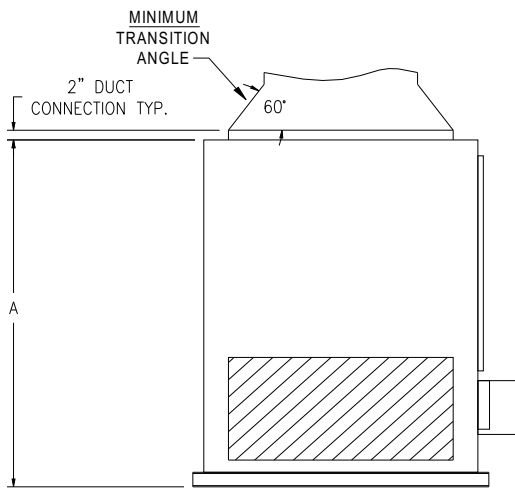
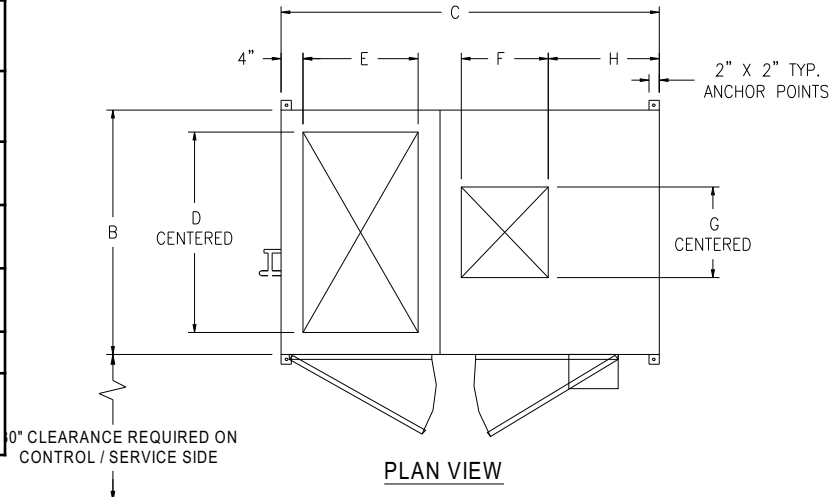
Orangeville, ON L9W 0A7

Phone: 800-992-1244 Fax: 888-687-3505

[www.q-asales.com](http://www.q-asales.com)

**STANDARD SIZE VERTICAL CABINET WITH NO ODOR CONTROL  
(FAN/ FILTER/ NO ODOR CONTROL SECTION)**

FILTER & COMPONENTS SCHEDULE	
FILTER COMP.#	TYPE EFFICIENCY/ CLASS
1	MERV 8 ASHRAE 52.2, UL Class 2 (30~35% Eff. ASHRAE 52.1 Dust Spot)
2	MERV 15 ASHRAE 52.2, UL Class 2 (90~95% Eff. ASHRAE 52.1 Dust Spot)
3	MERV 16 ASHRAE 52.2, UL Class 1 (98% Eff. ASHRAE 52.1 Dust Spot)
4	-
5	TYPE "A" 165°F (74°C) FUSIBLE LINK FIRE DAMPER, ARROW FRAME VERTICAL



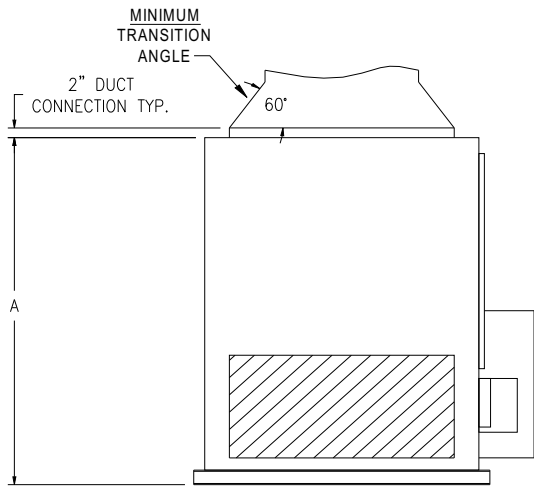
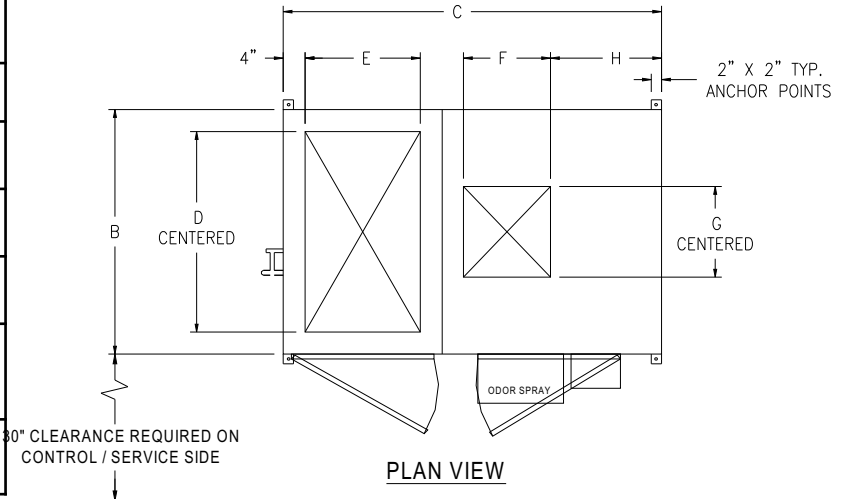
**Dimensional Data - Vertical Fan & Filter - No Odor Control**

MODEL #	DIMENSION (INCHES)								
	A	B	C	D	E	F	G	H	CB
<b>APU 02</b>	71	38	63	29	21	13 1/2	15 5/8	16 5/8	3
<b>APU 03</b>	71	38	63	29	21	13 1/2	15 5/8	16 5/8	3
<b>APU 04</b>	71	50	69	41	21	15 7/8	18 9/16	20 1/4	3
<b>APU 05</b>	71	62	69	53	21	15 7/8	18 9/16	20 1/4	3

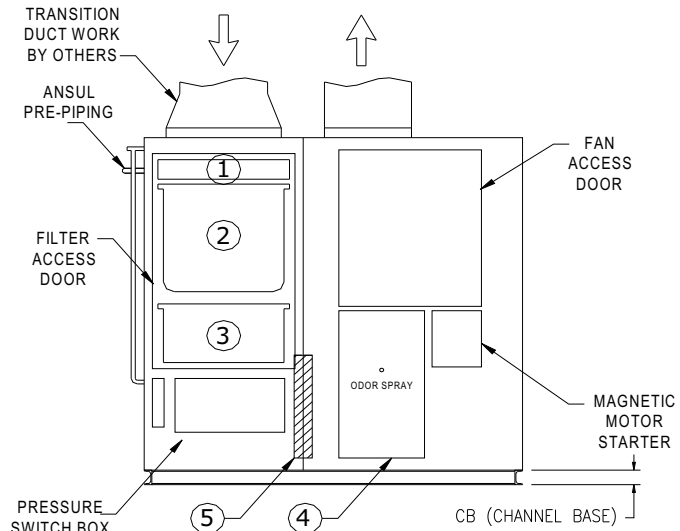
NOTE: DIMENSION ARE APPROXIMATE, REFER TO PROJECT DRAWINGS FOR FINAL DIMENSIONS

**STANDARD SIZE VERTICAL CABINET WITH ODOR SPRAY  
(FAN/ FILTER/ SPRAY ODOR CONTROL SECTION)**

FILTER & COMPONENTS SCHEDULE	
FILTER COMP. #	TYPE EFFICIENCY/ CLASS
1	MERV 8 ASHRAE 52.2, UL Class 2 (30~35% Eff. ASHRAE 52.1 Dust Spot)
2	MERV 15 ASHRAE 52.2, UL Class 2 (90~95% Eff. ASHRAE 52.1 Dust Spot)
3	MERV 16 ASHRAE 52.2, UL Class 1 (98% Eff. ASHRAE 52.1 Dust Spot)
4	ODOR NEUTRALIZER SPRAY CABINET & PLENUM ASSEMBLIES WITH 1-5 GAL. LIQUID NEUTRALIZER RESERVOIR
5	TYPE "A" 165°F (74°C) FUSIBLE LINK FIRE DAMPER, ARROW FRAME VERTICAL



**SIDE ELEVATION**



**FRONT ELEVATION**

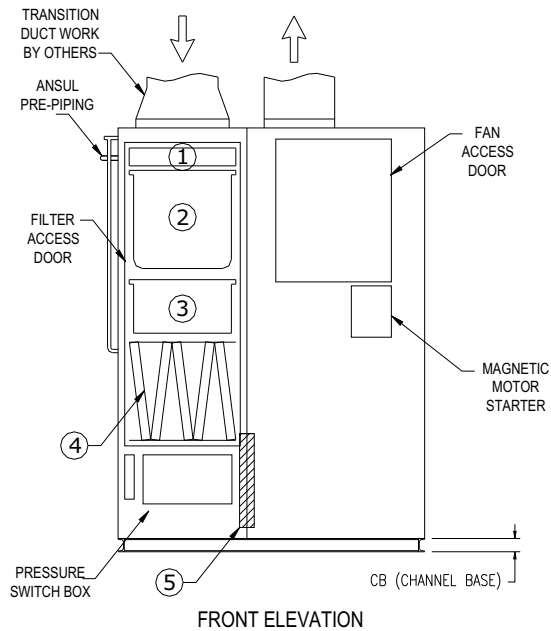
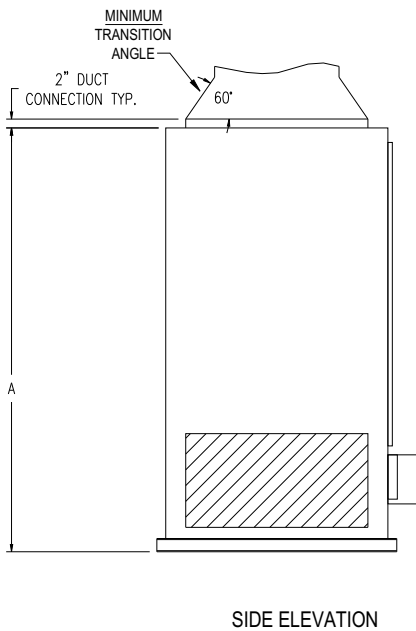
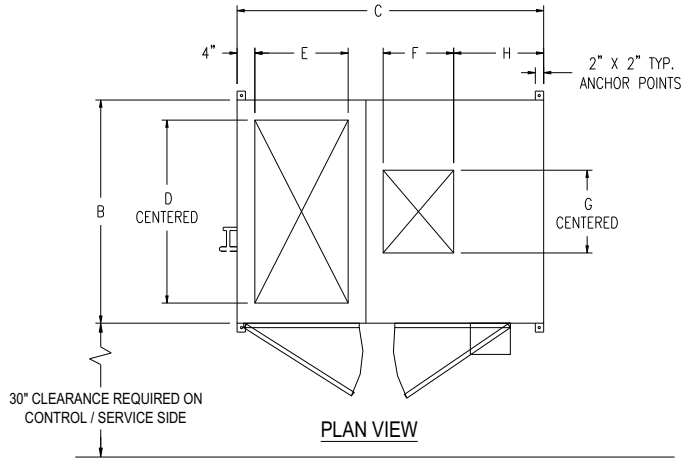
**Dimensional Data - Vertical Fan & Filter - Odor Spray**

MODEL #	DIMENSION (INCHES)								
	A	B	C	D	E	F	G	H	CB
<b>APU 02</b>	71	38	63	29	21	13 1/2	15 5/8	16 5/8	3
<b>APU 03</b>	71	38	63	29	21	13 1/2	15 5/8	16 5/8	3
<b>APU 04</b>	71	50	69	41	21	15 7/8	18 9/16	20 1/4	3
<b>APU 05</b>	71	62	69	53	21	15 7/8	18 9/16	20 1/4	3

**NOTE:** DIMENSION ARE APPROXIMATE, REFER TO PROJECT DRAWINGS FOR FINAL DIMENSIONS

**STANDARD SIZE VERTICAL CABINET ODOR MEDIA TRAYS  
(FAN/ FILTER/ MEDIA TRAY ODOR CONTROL SECTION)**

FILTER & COMPONENTS SCHEDULE	
FILTER COMP. #	TYPE EFFICIENCY/ CLASS
1	MERV 8 ASHRAE 52.2, UL Class 2 (30~35% Eff. ASHRAE 52.1 Dust Spot)
2	MERV 15 ASHRAE 52.2, UL Class 2 (90~95% Eff. ASHRAE 52.1 Dust Spot)
3	MERV 16 ASHRAE 52.2, UL Class 1 (98% Eff. ASHRAE 52.1 Dust Spot)
4	ODOR ABSORBING MEDIA TRAYS
5	TYPE "A" 165°F (74°C) FUSIBLE LINK FIRE DAMPER, ARROW FRAME VERTICAL



**Dimensional Data - Vertical Fan & Filter - Odor Media Trays**

MODEL #	DIMENSION (INCHES)									TRAYS	
	A	B	C	D	E	F	G	H	CB	24" x 24" x 2"	24" x 12" x 2"
APU 02	95	38	63	29	21	13 1/2	15 5/8	16 5/8	3	5	5
APU 03	95	38	63	29	21	13 1/2	15 5/8	16 5/8	3	5	5
APU 04	95	50	69	41	21	15 7/8	18 4/7	20 1/4	3	10	0
APU 05	95	62	69	53	21	15 7/8	18 4/7	20 1/4	3	10	5

NOTE: DIMENSION ARE APPROXIMATE, REFER TO PROJECT DRAWINGS FOR FINAL DIMENSIONS