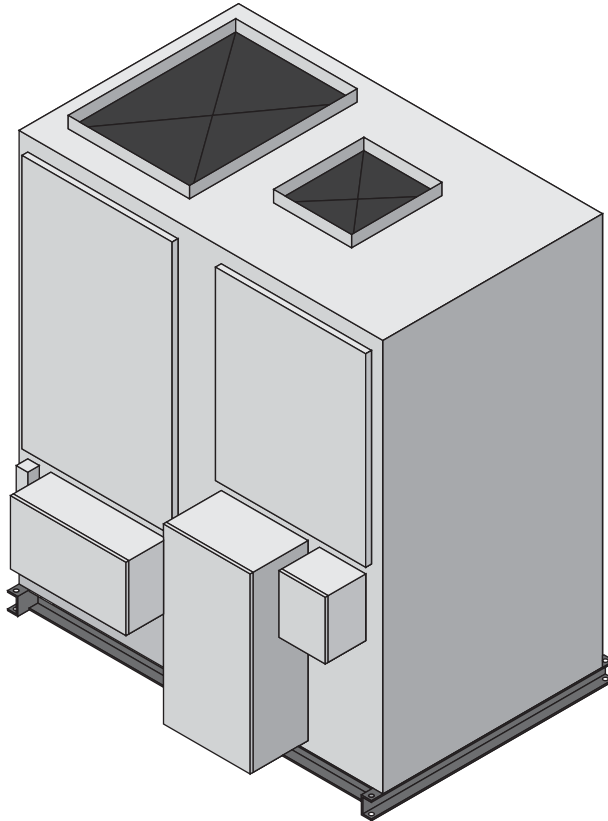


Ecology

AIR PURIFICATION UNIT - APU

Grease, Smoke, and Odor Abatement
for Commercial Kitchen Applications



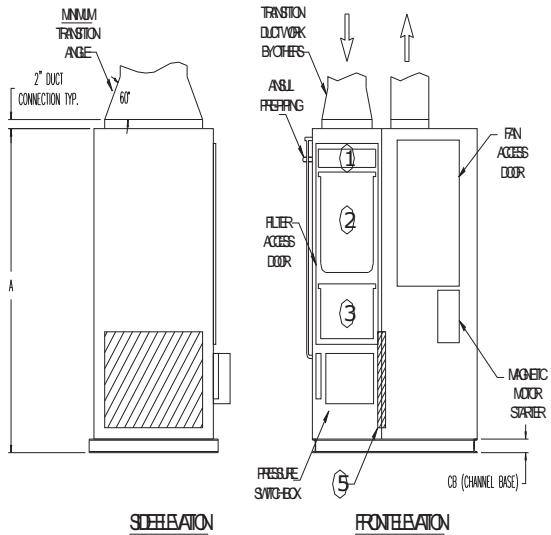
Vertical Upright Units



7212 Line 86, PO Box 4
Wallenstein, ON N0B 2S0
Phone: 519-669-0238
www.q-asales.com

**STANDARD SIZE VERTICAL CABINET WITH NO ODOR CONTROL
(FAN/ FILTER/ NO ODOR CONTROL SECTION)**

FILTER & COMPONENTS SCHEDULE	
FILTER COMP. #	TYPE EFFICIENCY/ CLASS
1	MERV 8 ASHRAE 52.2, UL Class 2 (30~35% Eff. ASHRAE 52.1 Dust Spot)
2	MERV 15 ASHRAE 52.2, UL Class 2 (90~95% Eff. ASHRAE 52.1 Dust Spot)
3	MERV 16 ASHRAE 52.2, UL Class 1 (98% Eff. ASHRAE 52.1 Dust Spot)
4	-
5	TYPE "A" 165°F (74°C) FUSIBLE LINK FIRE DAMPER, ARROW FRAME VERTICAL

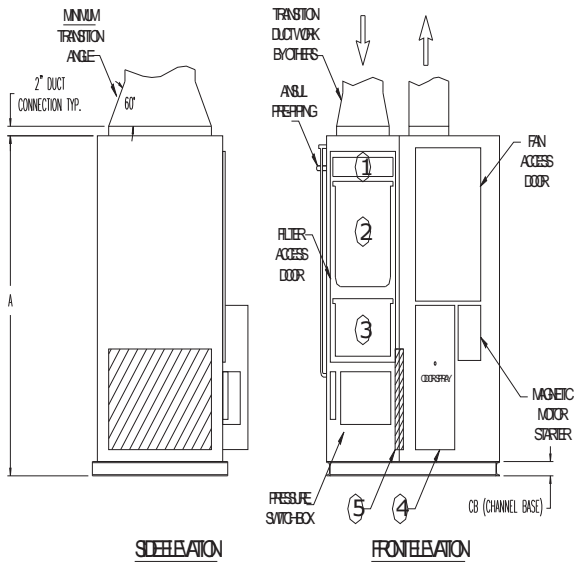
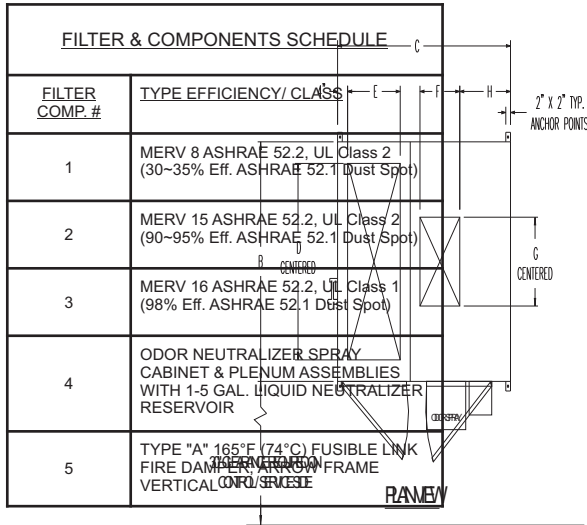


Dimensional Data - Vertical Fan & Filter - No Odor Control

MODEL #	DIMENSION (INCHES)								
	A	B	C	D	E	F	G	H	CB
APU 02	71	38	63	29	21	13 1/2	15 5/8	16 5/8	3
APU 03	71	38	63	29	21	13 1/2	15 5/8	16 5/8	3
APU 04	71	50	69	41	21	15 7/8	18 9/16	20 1/4	3
APU 05	71	62	69	53	21	15 7/8	18 9/16	20 1/4	3

NOTE: DIMENSION ARE APPROXIMATE, REFER TO PROJECT DRAWINGS FOR FINAL DIMENSIONS

**STANDARD SIZE VERTICAL CABINET WITH ODOR SPRAY
(FAN/ FILTER/ SPRAY ODOR CONTROL SECTION)**



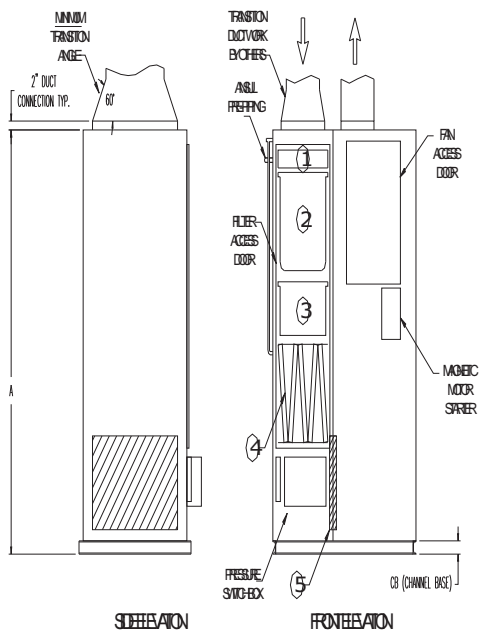
Dimensional Data - Vertical Fan & Filter - Odor Spray

MODEL #	DIMENSION (INCHES)								
	A	B	C	D	E	F	G	H	CB
APU 02	71	38	63	29	21	13 1/2	15 5/8	16 5/8	3
APU 03	71	38	63	29	21	13 1/2	15 5/8	16 5/8	3
APU 04	71	50	69	41	21	15 7/8	18 9/16	20 1/4	3
APU 05	71	62	69	53	21	15 7/8	18 9/16	20 1/4	3

NOTE: DIMENSION ARE APPROXIMATE, REFER TO PROJECT DRAWINGS FOR FINAL DIMENSIONS

STANDARD SIZE VERTICAL CABINET ODOR MEDIA TRAYS (FAN/ FILTER/ MEDIA TRAY ODOR CONTROL SECTION)

FILTER & COMPONENTS SCHEDULE	
FILTER COMP. #	TYPE EFFICIENCY/ CLASS
1	MERV 8 ASHRAE 52.2, UL Class 2 (30-35% Eff. ASHRAE 52.1 Dust Spot)
2	MERV 15 ASHRAE 52.2, UL Class 2 (90-95% Eff. ASHRAE 52.1 Dust Spot)
3	MERV 16 ASHRAE 52.2, UL Class 1 (98% Eff. ASHRAE 52.1 Dust Spot)
4	ODOR ABSORBING MEDIA TRAYS
5	TYPE "A" 165°F (74°C) FUSIBLE LINK FIRE DAMPER, APPROVED FOR VERTICAL



Dimensional Data - Vertical Fan & Filter - Odor Media Trays

MODEL #	DIMENSION (INCHES)									TRAYS	
	A	B	C	D	E	F	G	H	CB	24" x 24" x 2"	24" x 12" x 2"
APU 02	95	38	63	29	21	13 1/2	15 5/8	16 5/8	3	5	5
APU 03	95	38	63	29	21	13 1/2	15 5/8	16 5/8	3	5	5
APU 04	95	50	69	41	21	15 7/8	18 4/7	20 1/4	3	10	0
APU 05	95	62	69	53	21	15 7/8	18 4/7	20 1/4	3	10	5

NOTE: DIMENSION ARE APPROXIMATE, REFER TO PROJECT DRAWINGS FOR FINAL DIMENSIONS